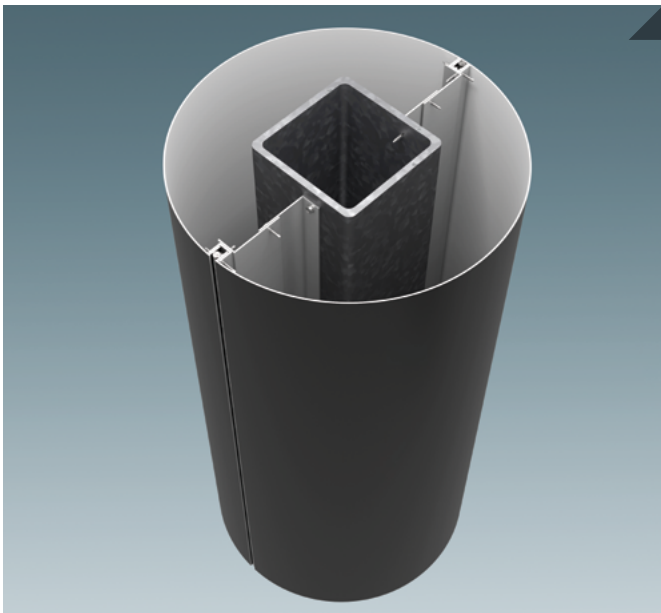


CL100

Wet Joint

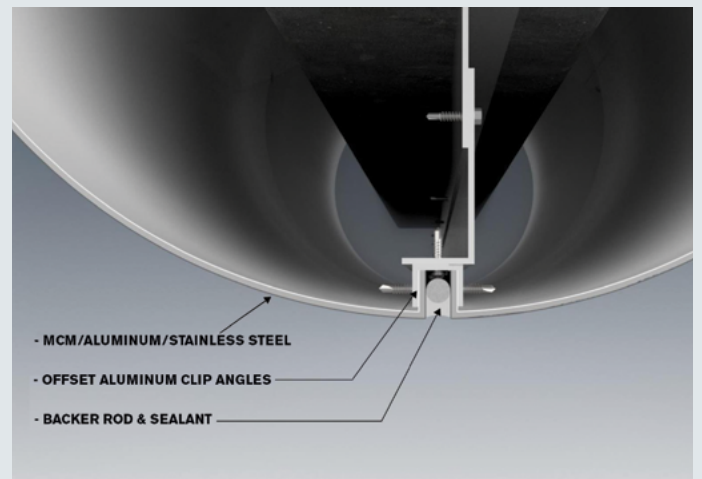


System Characteristics:

- Route & Return Caulked Joint
- Most Economical Column Cover
- Great for Horizontal Joints

CL100 Wet Joint

Our CL100 Wet Joint is ideal for columns requiring a horizontal reveal. This column type looks great with our W5000 panel system.



CL100

Wet Joint

TECHNICAL DETAILS

Face Material:

- Metal Composite Material
- Aluminum Plate
- Stainless Steel
- Galvanized Steel
- Natural Metals (Zinc & Copper)

System Depth:

1 1/8" minimum

Joint Width:

1/2"

Maximum Panel Size/Radius:

We offer various shapes and sizes from as small as 11" in diameter and lengths up to 142".

Tested Systems & Code Compliance:

At CEI Materials we are dedicated to making sure that our cladding systems meet and exceed all the project specific requirements for performance and adherence to local & International Building Code standards. Depending on the system we will clearly identify what tests and procedures were completed internally and with third party assistance.

ASTM E 283 - Static Air Infiltration

ASTM E 330 - Structural Design loads (40psf)

ASTM E 331 - Static Water Infiltration

Florida Product Approval

System Details:

All system details at CEI Materials are available in Autocad & Revit.