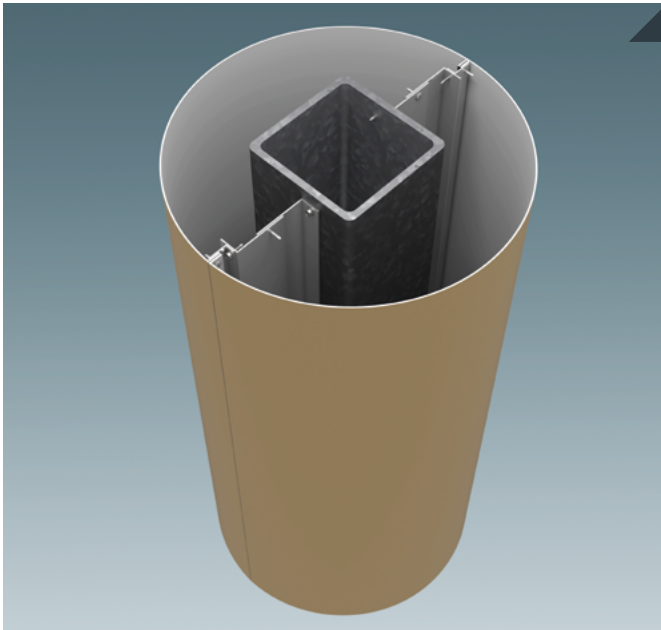


CL200

Hairline

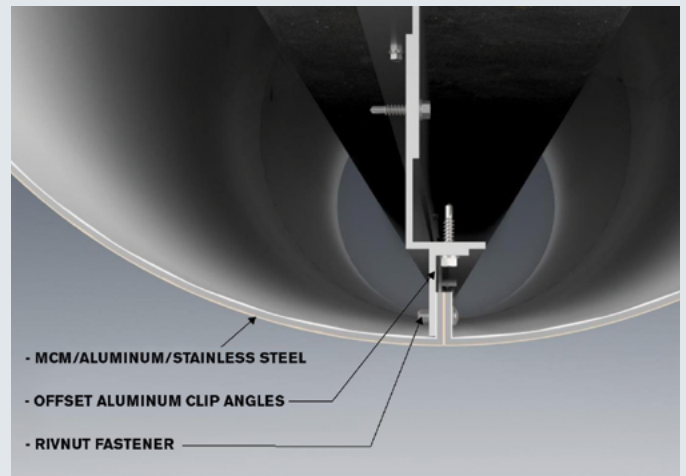


System Characteristics:

- Hairline Reveal
- Horizontal Reveal Available
- Easy to Install
- Low Maintenance

CL200 Hairline

Our CL200 Hairline Joint is a great way to create a seamless look on your columns.



CL200

Hairline

TECHNICAL DETAILS

Face Material:

- Metal Composite Material
- Aluminum Plate
- Stainless Steel
- Galvanized Steel
- Natural Metals (Zinc & Copper)

System Depth:

1^{15/16}" minimum

Joint Width:

Hairline

Maximum Panel Size/Radius:

We offer various shapes and sizes from as small as 11" in diameter and lengths up to 142".

Tested Systems & Code Compliance:

At CEI Materials we are dedicated to making sure that our cladding systems meet and exceed all the project specific requirements for performance and adherence to local & International Building Code standards. Depending on the system we will clearly identify what tests and procedures were completed internally and with third party assistance.

ASTM E 283 - Static Air Infiltration

ASTM E 330 - Structural Design loads (40psf)

ASTM E 331 - Static Water Infiltration

Florida Product Approval

System Details:

All system details at CEI Materials are available in Autocad & Revit.