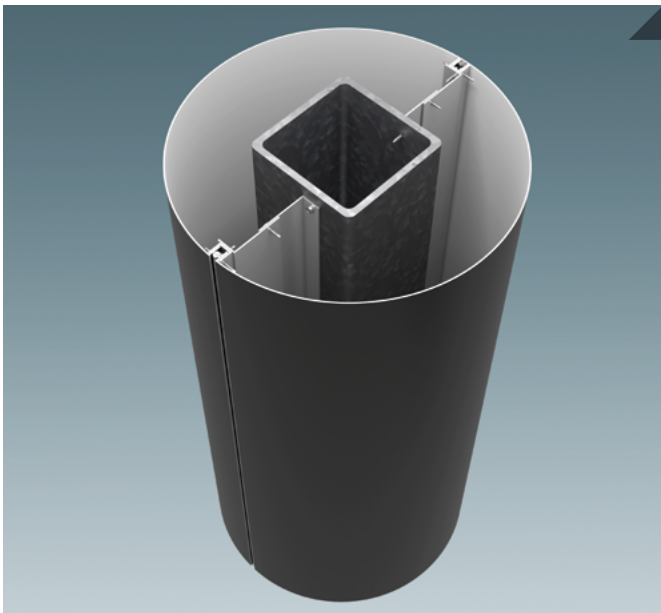


# CL100

## Wet Joint

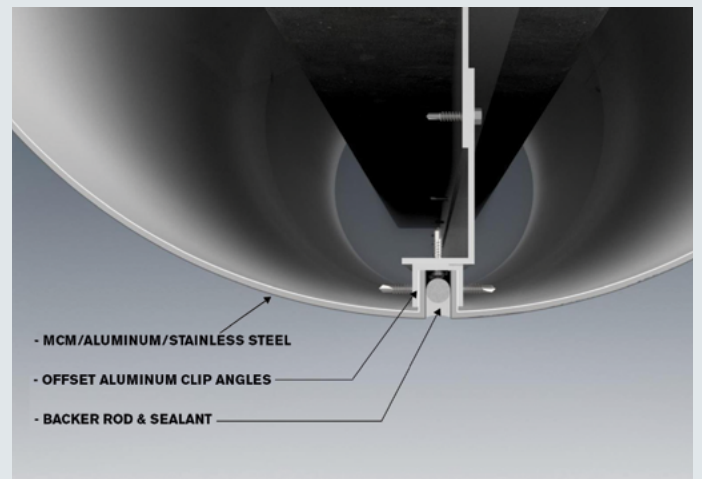


### System Characteristics:

- Route & Return Caulked Joint
- Most Economical Column Cover
- Great for Horizontal Joints

### CL100 Wet Joint

Our CL100 Wet Joint is ideal for columns requiring a horizontal reveal. This column type looks great with our W5000 panel system.



# CL100

---

## Wet Joint

### TECHNICAL DETAILS

---

#### Face Material:

- Metal Composite Material
- Aluminum Plate
- Stainless Steel
- Galvanized Steel
- Natural Metals (Zinc & Copper)

---

#### System Depth:

1 1/8" minimum

---

#### Joint Width:

1/2"

---

#### Maximum Panel Size/Radius:

We offer various shapes and sizes from as small as 11" in diameter and lengths up to 142".

#### Tested Systems & Code Compliance:

At CEI Materials we are dedicated to making sure that our cladding systems meet and exceed all the project specific requirements for performance and adherence to local & International Building Code standards. Depending on the system we will clearly identify what tests and procedures were completed internally and with third party assistance.

**ASTM E 283** - Static Air Infiltration

**ASTM E 330** - Structural Design loads (40psf)

**ASTM E 331** - Static Water Infiltration

**Florida Product Approval**

---

#### System Details:

All system details at CEI Materials are available in Autocad & Revit.