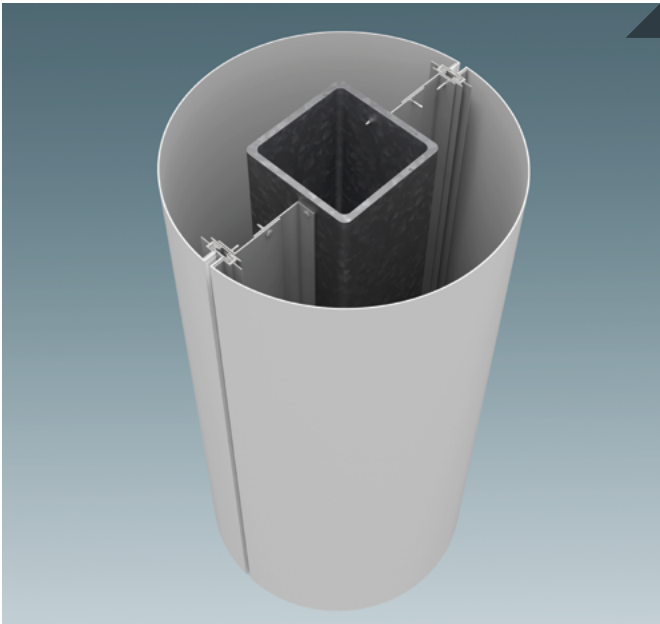


CL300

Dry Joint

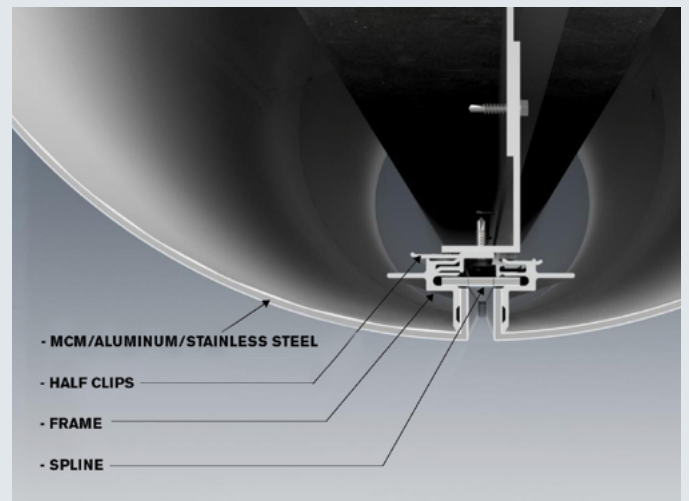


System Characteristics:

- Rear Ventilated Rainscreen
- 3 Piece Spline Joint
- 1/2" and 3/4" Reveals Available
- Low Maintenance

CL300 Dry Joint

The CL300 Dry Joint has a clean finish and looks great with our R3000 or R4000 panel systems.



CL300

Dry Joint

TECHNICAL DETAILS

Face Material:

- Metal Composite Material
- Aluminum Plate
- Stainless Steel
- Galvanized Steel
- Natural Metals (Zinc & Copper)

System Depth:

1^{11/16}" minimum

Joint Width:

1/2"

Maximum Panel Size/Radius:

We offer various shapes and sizes from as small as 11" in diameter and lengths up to 142".

Tested Systems & Code Compliance:

At CEI Materials we are dedicated to making sure that our cladding systems meet and exceed all the project specific requirements for performance and adherence to local & International Building Code standards. Depending on the system we will clearly identify what tests and procedures were completed internally and with third party assistance.

ASTM E 283 - Static Air Infiltration

ASTM E 330 - Structural Design loads (40psf)

ASTM E 331 - Static Water Infiltration

Florida Product Approval

System Details:

All system details at CEI Materials are available in Autocad & Revit.